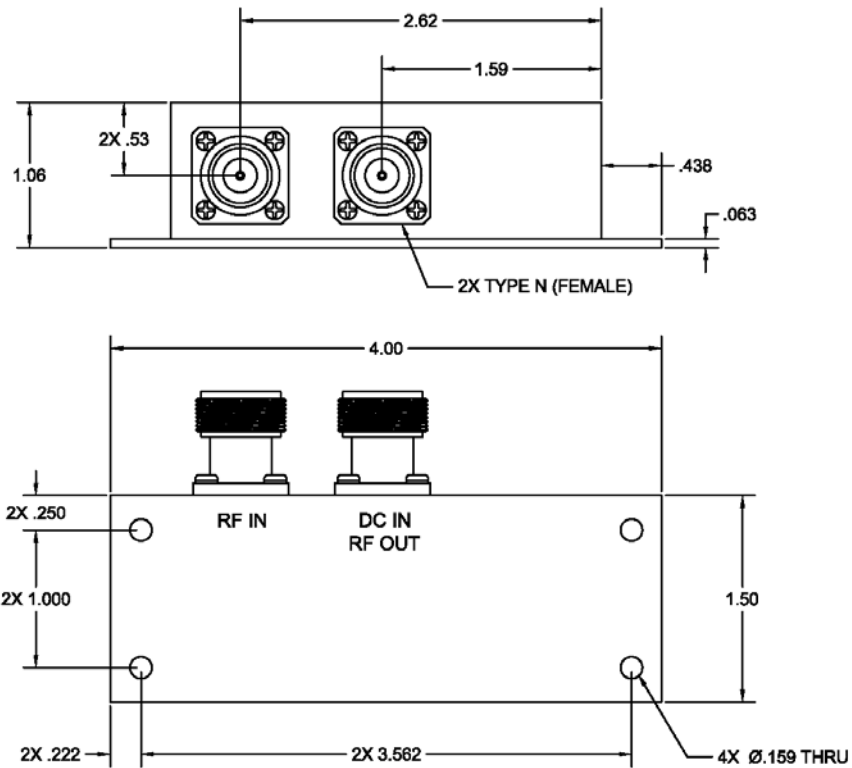




AM-212SN

LOW NOISE AMPLIFIER UHF/ SATCOM



ELECTRICAL SPECIFICATIONS

Bandwidth @ 1 dB down (Rel. to 256 MHz)	243-270.5 min.
VSWR, Input (Ref. 50 Ohms)	2.0:1 max.
VSWR, Output (Ref. 50 Ohms)	1.5:1 max.
GAIN, 243-270.5 MHz	31 dB min., 35 dB max.
Noise Figure, 243-270.5 MHz	1.2 dB max.
Input @ 1 dB gain compression	-18 dBm min.
Input Signal, 100-800 MHz, Input Port (protection level)	1 W CW max.
Pre-Amplifier Power Requirements	
Voltage	+28 VDC nom.
Current	90 mA nom.

GENERAL CHARACTERISTICS

WEIGHT	6 oz. max.
SIZE, excluding connectors	1.50" x 4.00" x 1.06"
CONNECTORS	
RF Input	Type N (Female)
RF Output/ DC Input	Type N (Female)

REV: 4/11/16