



**DFP-102RX-3
UHF SATCOM**

**ANTENNA DIPLEXER/ LNA
FULL DUPLEX OPERATION**



DESCRIPTION

Compact antenna diplexer for UHF SATCOM

FEATURES

Very low noise figure LNA



DFP-102RX-3 UHF SATCOM

ANTENNA DIPLEXER/ LNA FULL DUPLEX OPERATION

RECEIVE CHARACTERISTICS J1 to J3

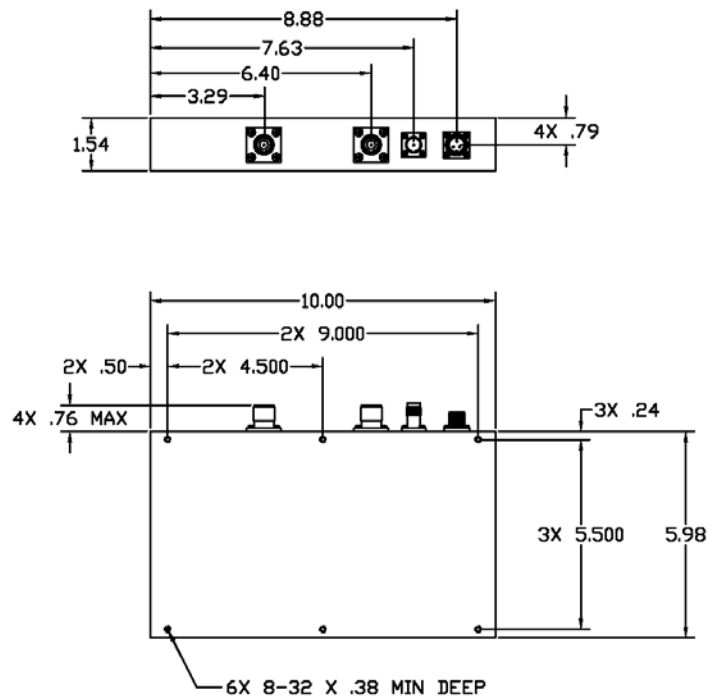
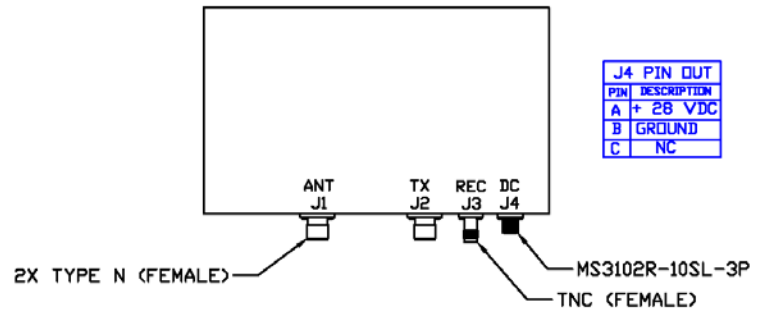
Passband	243-270 MHz
Gain, 243-270 MHz	31 dB min.
VSWR, J1 and J3	1.5:1 max.
Gain Roll-off, 256 MHz Ref.	1.5 dB max.
Noise Figure	2.5 dB max.
Input @ 1 dB gain compression	-18 dBm min.
Intercept point, third order	+22 dBm nom.
Passband protection level	+30 dBm max.
Reverse Isolation, J3 to J1	55 dB min.
Rejection	
0-125 MHz	90 dB min.
125-180 MHz	75 dB min.
180-200 MHz	65 dB min.
291-512 MHz	100 dB min.
512-700 MHz	90 dB min.

TRANSMIT CHARACTERISTICS J2 to J1

Passband	291-400 MHz
Insertion Loss, 291 to 400 MHz	0.7 dB max.
VSWR, Passband	1.4:1 max.
Rejection	
0-32 MHz	50 dB min.
32-225 MHz	40 dB min.
225-270 MHz	60 dB min.
Transmit Power	200W-CW max.

GENERAL CHARACTERISTICS

PREAMP POWER	
Voltage	+22 to +32VDC
Current	90 mA nom.
Environment	Airborne/Shipborne
Temperature	-40° C to +55° C
Weight	5lbs. 10oz. max.
Connectors	
J1 ANT	Type N (Female)
J2 TX	Type N (Female)
J3 RX	Type TNC (Female)
J4 DC	MS3102R-10SL-3P
Size, excluding connectors	5.98" x 10" x 1.54"
Finish	Black, Textured



REV: 5/19/15