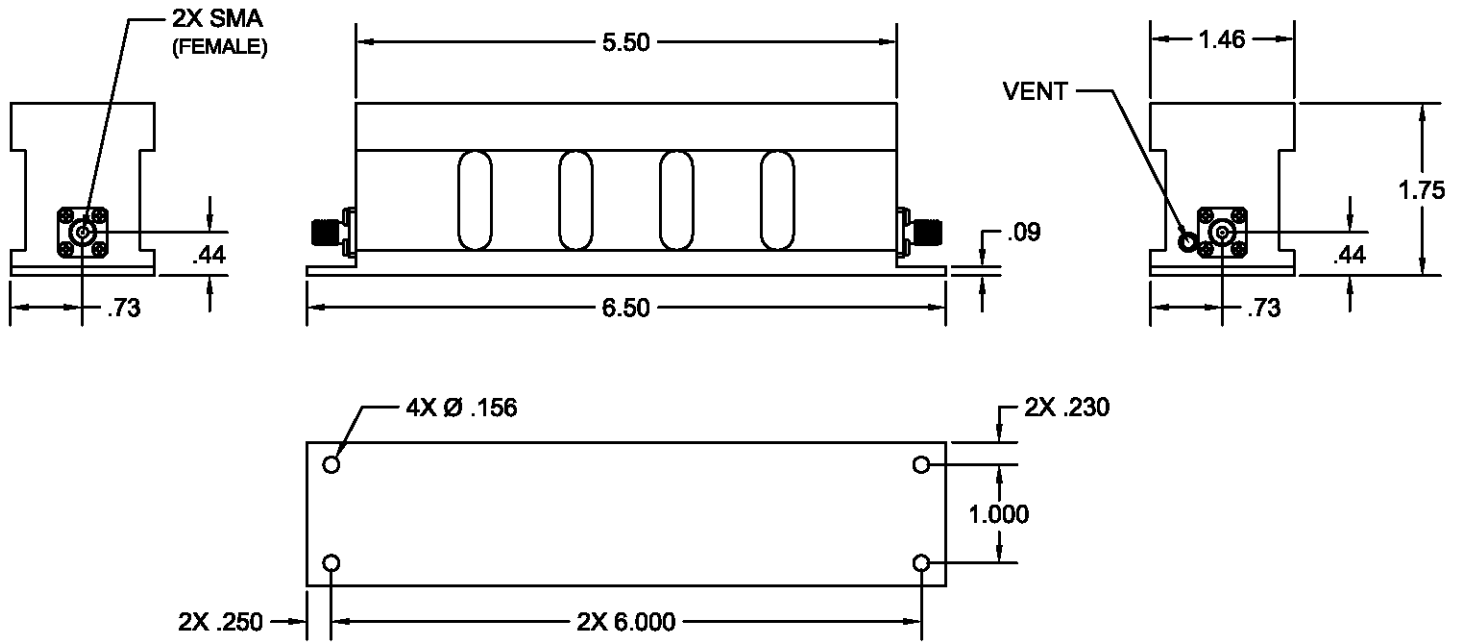




# FBV5-264R

# BANDPASS FILTER (VENTED)



## ELECTRICAL SPECIFICATIONS

FREQUENCY	1777.3 MHz
BANDWIDTH	±10 MHz
LOSS	0.7 dB max.
VSWR	1.35:1 max.
REJECTION	
0-1670 MHz	50 dB min.
1857.3 ±10 MHz	40 dB min.
2097.2 ±10 MHz	60 dB min.
2200 - 6000 MHz	50 dB min.

## GENERAL CHARACTERISTICS

ALTITUDE (Note 1)	2.25 TORR
VENTING (Screened)	.003 sq in
TEMPERATURE	-50° C to +85° C
VIBRATION	20 Hz to 2000 Hz, 25.6 G <sub>RMS</sub>
POWER	1 Watt CW
WEIGHT	14 oz. max.
SIZE, excluding connectors	6.50" x 1.46" x 1.75"
CONNECTORS	SMA (female), M83517/4-32005
FINISH	AEROGLAZE Z306 (Black)

NOTE 1: The unit is vented by a screened vent hole located as indicated.

REV: 8/3/15