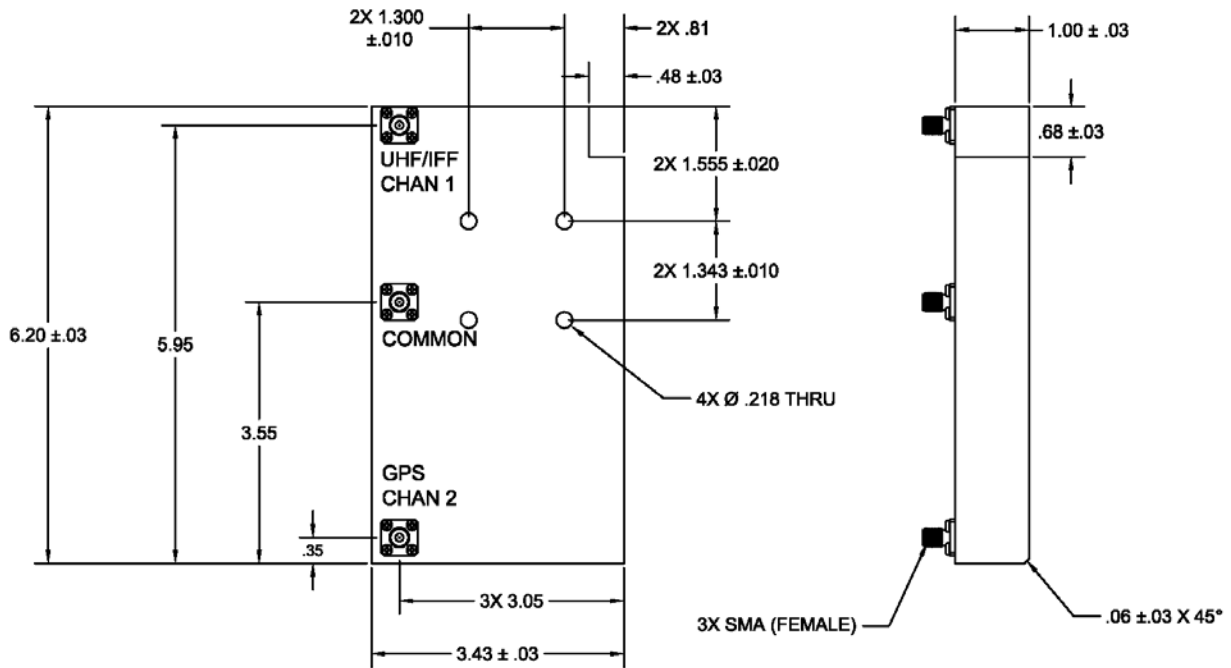




# FMA-286-LS

# UHF/IFF- GPS/IRIDIUM DIPLEXER



## ELECTRICAL SPECIFICATIONS

### CHANNEL 1 (UHF/IFF) FREQUENCY (Note 1)

UHF	150-400 MHz
IFF	950-1120 MHz
VSWR	1.5:1 max.
INSERTION LOSS	0.5 dB max.

### RF POWER HANDLING,

150-400 MHz	100W avg,
950-1120 MHz	1 KW peak @ 10% max. duty cycle

### ISOLATION (Channel 1 to Channel 2)

150-400 MHz	50 dB min.
950-1120 MHz	70 dB min.

Note 1: Useful from 0-1120 MHz

### CHANNEL 2 (GPS/IRIDIUM) FREQUENCY

1215-1239 MHz
1563-1587 MHz
1615-1630 MHz

VSWR	1.5:1 max.
ISOLATION, Channel1 to Channel 2	30 dB min.

### INSERTION LOSS

1215-1239 MHz	0.7 dB max.
1563-1587 MHz	0.5 dB max.
1615-1630 MHz	0.7 dB max.

RF POWER, 1610-1630 MHz	10 W max.
-------------------------	-----------

## GENERAL CHARACTERISTICS

SIZE, excluding connectors	6.20" x 3.43" x 1.00"
CONNECTORS	SMA (female)
WEIGHT	34 oz. nom.

REV: 1/26/16