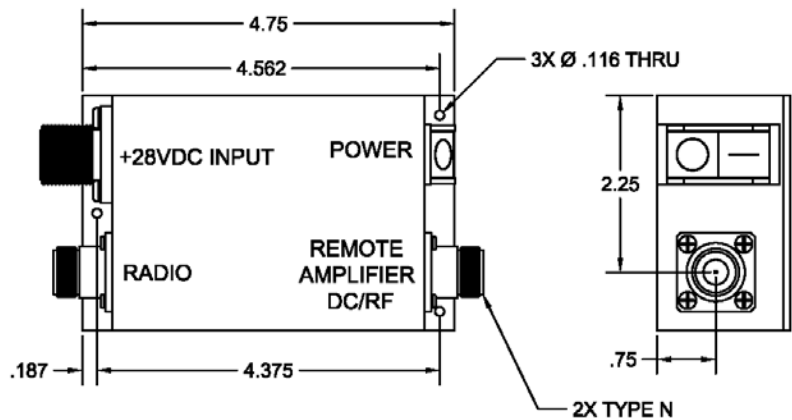
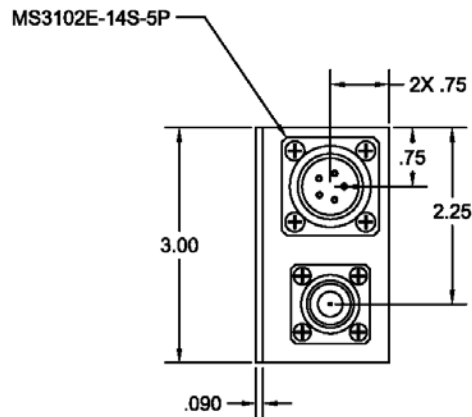
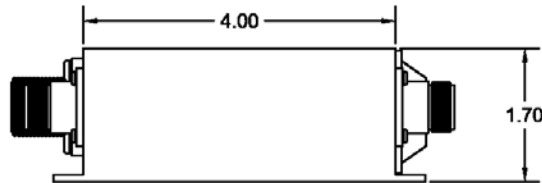




BT-050

HIGH CURRENT BIAS TEE

MS3102E-14S-5P	
PIN	DESCRIPTION
A	+ 28 VDC
B	+ 28 VDC
C	GROUND
D	GROUND
E	+ 28 VDC



THE BT-050 Bias Tee is used to provide a DC path to one side of a 50 Ohm transmission line. An integral blocking capacitor isolates the DC from the other side of the line. The ON/OFF switch is also a 15A resettable circuit breaker.

ELECTRICAL SPECIFICATIONS

Frequency Range	
Optimum	225-400 MHz
Useful	80-600 MHz
Insertion Loss	
225-400 MHz	0.2 dB max.
80-600 MHz	0.3 dB max.
@ room temperature	0.85 dB max.
over temperature	1.0 dB max.
VSWR	
225-400 MHz	1.25:1 max.
80-600 MHz	1.5:1 max.
Power Handling	200W-CW
DC Resistance	0.2 Ohm max.
Voltage	50 VDC max.
Current	15A max.

GENERAL CHARACTERISTICS

WEIGHT	15 oz. nom.
SIZE, excluding connectors	4.75" x 3.00" x 1.70"
CONNECTORS	
Radio	Type N (Female)
Remote Amplifier DC/RF	Type N (Female)
+ 28 VDC Input	MS3102E-14S-5P

REV: 8/9/16