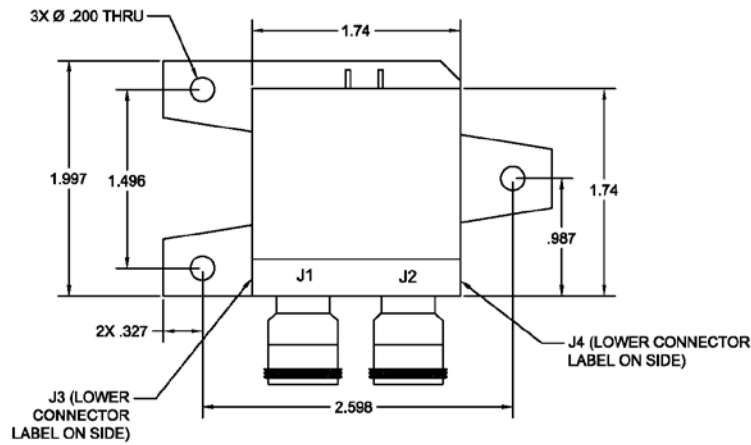
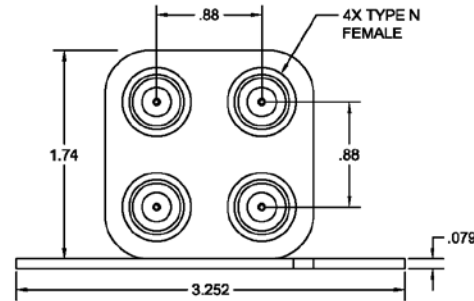




CS-212 (PN: MPI-R577-013-000)

RF TRANSFER SWITCH



ELECTRICAL SPECIFICATIONS

FREQUENCY 240-320 MHz
 TYPE OF OPERATION FAILSAFE, BREAK BEFORE MAKE
 SWITCHING TIME 15 ms max.

DEACTIVATED **28 VDC OFF**
 INSERTION LOSS, J1 to J2 and J3 to J4 0.1 dB max.
 VSWR, J1 to J2 and J3 to J4 1.2:1 max.
 ISOLATION, J1 or J2 to J2 or J4 90 dB min.

ACTIVATED **28 VDC ON**
 INSERTION LOSS, J1 to J3/ J2 to J4 0.1 dB max.
 VSWR, J1 to J3/ J2 to J4 1.2:1 max.
 ISOLATION, J1 or J3 to J2 or J4 90 dB min.

GENERAL CHARACTERISTICS

POWER
 VOLTAGE +24 - +32 VDC
 CURRENT @ 28VDC 0.14A nom., 0.16A max.
 Temperature
 OPERATING -55°C to +85°C
 NON-OPERATING -65°C to +110°C
 SIZE 3.25" x 2.00" x 1.82" nom.
 WEIGHT 7.7 oz. nom., 8 oz. max.

REV: 5/5/16