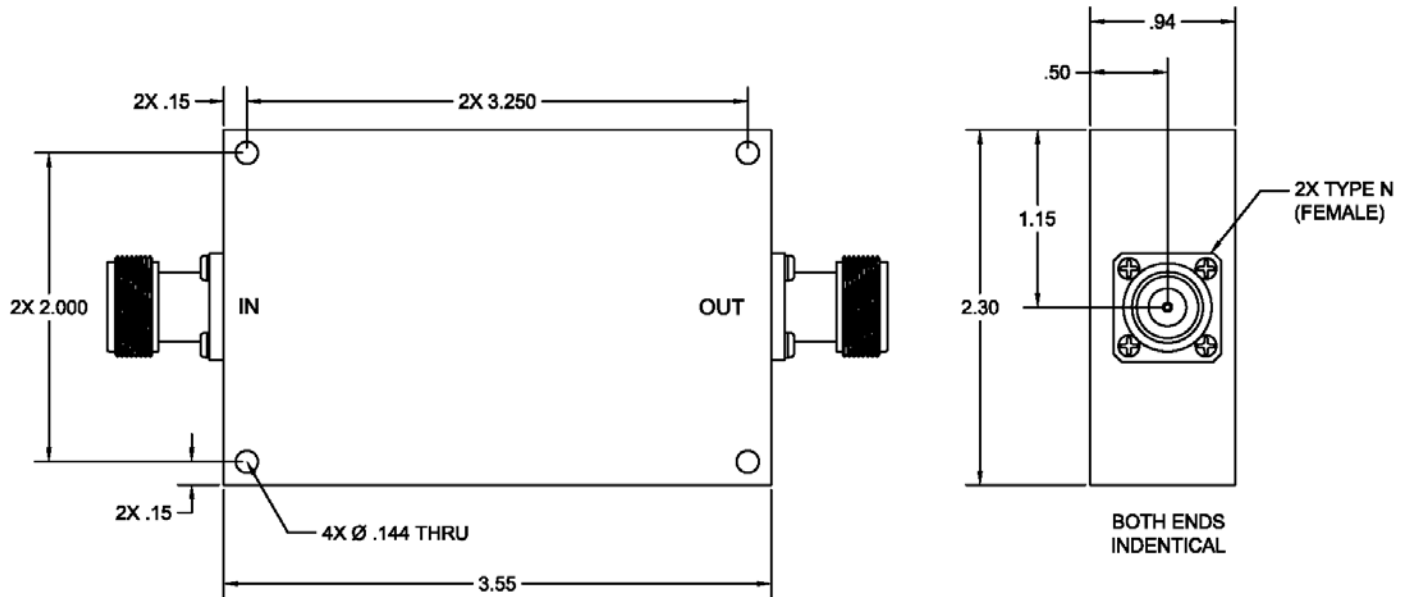




FBA-455M BANDPASS FILTER

MID-BAND VHF HIGH POWER



ELECTRICAL SPECIFICATIONS

Passband, 108 – 137 MHz	1.0 dB max. *
VSWR, Reference 50 Ohms	1.5:1 max.
Selectivity, 50 dB min.	97 and 154 MHz
Stopband	
0-25 MHz	80 dB min.
25-30 MHz	75 dB min.
30-90 MHz	60 dB min.
156-520 MHz	60 dB min.
RF Power Handling	30 W CW max.
* Tolerance: 0.05 dB	

GENERAL CHARACTERISTICS

Size, Excluding Connectors	3.55" x 2.30" x .94"
Weight	8 oz. nom., 9 oz. max.
Connectors	Type N (Female)
SIZE, excluding connectors	5.65" x 1.20" x 1.53"
CONNECTORS	SMA (female)

REV: 5/9/16