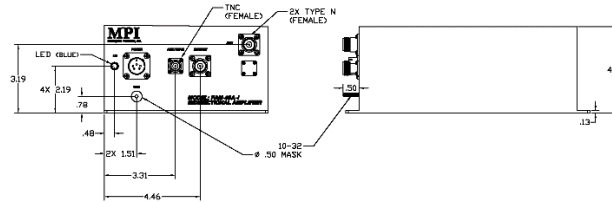
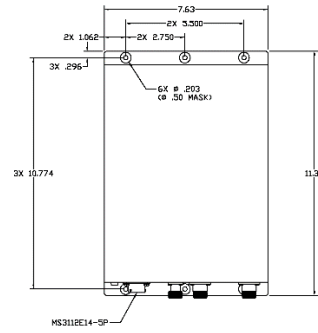




FAM-48A-1 BIDIRECTIONAL AMPLIFIER

UHF SATCOM (DAMA) LNA/HPA



ELECTRICAL SPECIFICATIONS

RECEIVE MODE

Frequency Range
Gain
Gain Variation
Noise Figure
VSWR
Input @ 1dB gain compression
Input Signal, max.
Intercept Point, third order
Rejection
 0-80 MHz
 80-200 MHz
 200-220 MHz
 280-300 MHz
 300-340 MHz
 340-2000 MHz
Reverse Isolation
AUX RCVR to XMT/RCV Isolation

	ANT to XMT/RCV	ANT to AUX/RCVR
Frequency Range	243-270 MHz	243-270 MHz
Gain	23 dB min.	25 dB min.
Gain Variation	1.5 dB max.	1.0 dB max.
Noise Figure	1.8 dB max.	1.8 dB max.
VSWR	1.5:1 max.	1.5:1 max.
Input @ 1dB gain compression	0 dBm min.	0 dBm min.
Input Signal, max.	200 mW CW	200mW CW
Intercept Point, third order	+40 dBm nom.	+40 dBm nom.
Rejection		
0-80 MHz	95 dB min.	70 dB min.
80-200 MHz	90 dB min.	40 dB min.
200-220 MHz	60 dB min.	30 dB min.
280-300 MHz	40 dB min.	20 dB min.
300-340 MHz	40 dB min.	80 dB min.
340-2000 MHz	80 dB min.	85 dB min.
Reverse Isolation	55 dB min.	50 dB min.
AUX RCVR to XMT/RCV Isolation		20 dB min.

TRANSMIT MODE, XMT/RCV to ANT

Passband	291-318.3 MHz
Gain, 12 to 20 W input	6 to 9 dB nom.
VSWR, 291-318.3 MHz	1.4:1 max.
Output Power (50K feet max.)	110 W CW max.
Stopband	
0-270 MHz	55 dB min.
360-2000 MHz	70 dB min.

GENERAL CHARACTERISTICS

Environment	Airborne
Weight	8.5 lbs. nom.
Size, Excluding connectors	11.37" x 7.63" x 4.00"
DC Operating Current, +28 VDC nom.	14 A max.
Connectors	
XMT/RCV, ANT	Type N (Female)
AUX/RCVR	TNC (Female)
POWER	MS3112E14-5P

REV: 9/19/16