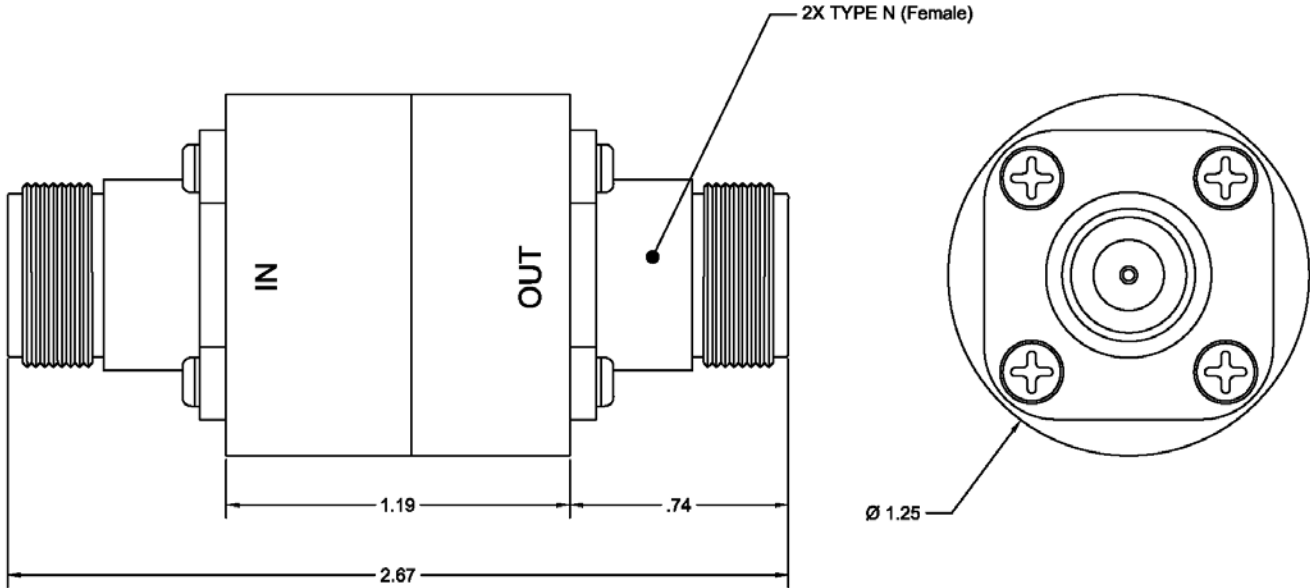




# LM-15-5

# EMP LIMITER



## ELECTRICAL SPECIFICATIONS (Note 1)

Insertion Loss	
0-512 MHz	0.15 dB max.
512-900 MHz	0.5 dB max.
VSWR	
0-512 MHz	1.25:1 max.
512-750 MHz	1.5:1 max.
Impedance	50Ω nom.
EMP Protection Level	5 V +10% / -5%

Note 1: Performance values applicable for signal levels below the protection level

## GENERAL CHARACTERISTICS

Size, overall length	1.25" dia. x 2.67"
Weight	5 oz.
Connectors	Type N (Female)

REV: 10/17/16