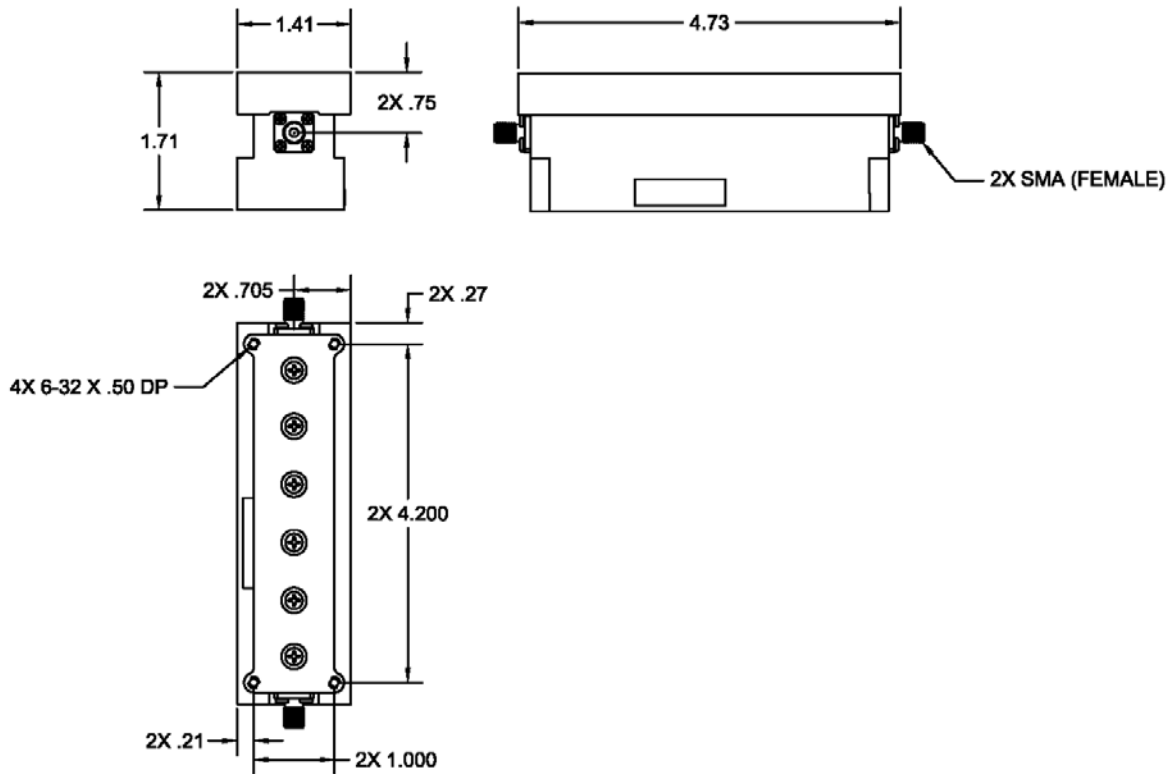




FBV5-264H

BANDPASS FILTER



ELECTRICAL SPECIFICATIONS

Frequency	2270 MHz
Bandwidth	± 20 MHz
Insertion Loss	1.2 dB max.
VSWR	1.5:1 max.
Rejection	
0-2117 MHz	70 dB min.
2117-2234 MHz	30 dB min.
2234-2236 MHz	20 dB min.
RF Power Handling	30 W-CW

GENERAL CHARACTERISTICS

Size, excluding connectors	4.73" x 1.41" x 1.71"
Weight	9 oz. max.
Connectors	SMA (Female)
Altitude	Unlimited*
Temperature	-50° C to +75° C
Vibration, Random, per Falcon	19.86 gRMS overall
HTV-2, Component	
Protoqualification	

*Maximum duration of operation in a vacuum: 1 hour

REV: .9/26/16