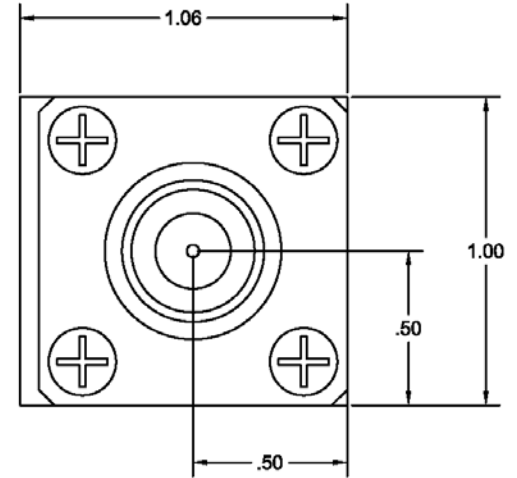
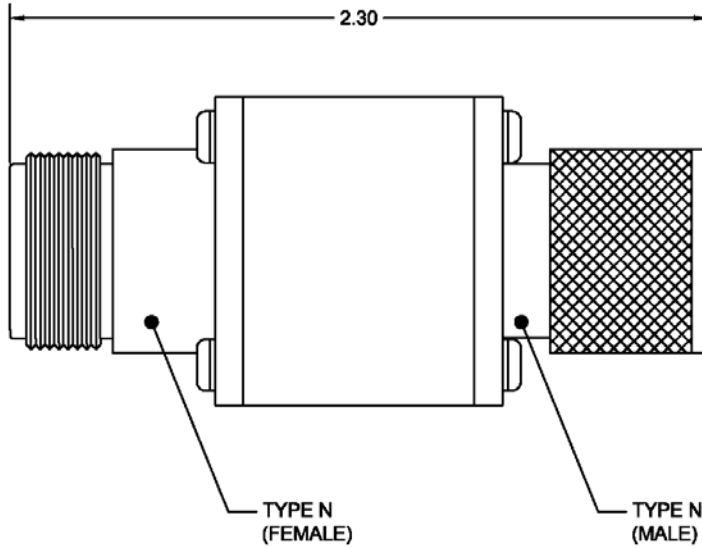




FHC-21L

DC BLOCK



ELECTRICAL SPECIFICATIONS

Frequency Range	10KHz-174 MHz
Insertion Loss	0.1 dB max.
VSWR, Reference 50 Ohms	1.2:1 max.
RF Power Input, CW	5 W max.
Blocking Voltage	50 WVDC

GENERAL CHARACTERISTICS

Size	2.30" x 1.06 x 1.00"
Weight	3.5 oz. nom.
Connectors	Type N (Male/ Female)

REV: 9/26/16