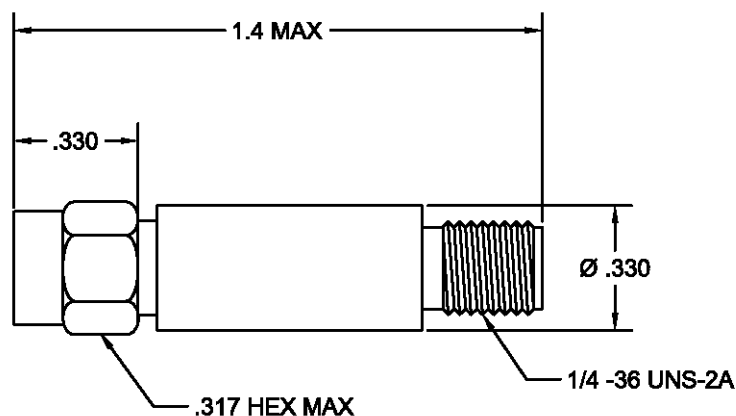




FHC-21S

DC BLOCK



The FHC-21S DC Block is generally used to prevent D.C. voltages from damaging susceptible RF circuitry. The Unit covers a range from below 1 MHz to a minimum of 10 GHz. Low insertion loss and good VSWR are features of this unit.

ELECTRICAL SPECIFICATIONS

Frequency Range	1-MHz – 10 GHz
Insertion Loss	0.25 dB max.
VSWR, Ref 50Ω	1.25:1 max.
Voltage	100 VDC max.

GENERAL CHARACTERISTICS

Size	1.4" x .033" dia.
Connectors	SMA (Male/ Female)

REV: 9/26/16