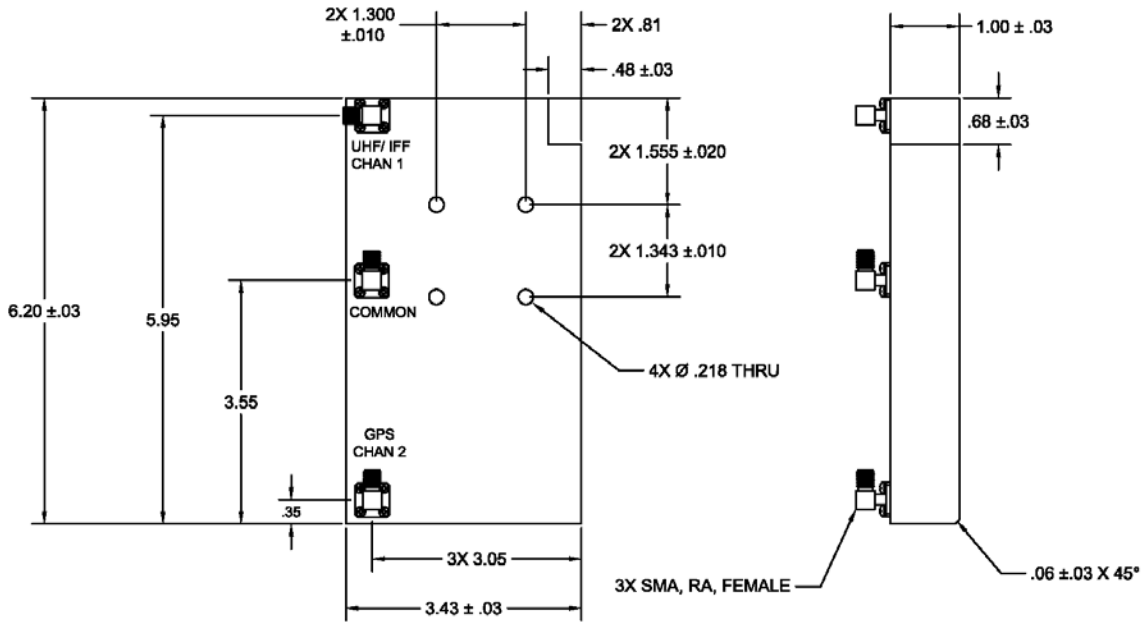




FMA-286-L

UHF/IFF-GPS IRIDIUM DIPLEXER



ELECTRICAL SPECIFICATIONS

CHANNEL 1 (UHF/IFF) SPECIFICATIONS

Frequency	
UHF	150-400 MHz
IFF	950-1120 MHz
VSWR, Ref. 50Ω	1.5:1 max.
Insertion Loss	0.5 dB max.
Isolation	
150-400 MHz	50 dB min.
950-1120 MHz	70 dB min.
Power, 150-400 MHz	100 W avg.

CHANNEL 2 (GPS) SPECIFICATIONS

Frequency	
GPS	1215-1239 MHz
GPS	1563-1587 MHz
GPS	1615-1630 MHz
VSWR, Ref. 50Ω	1.5:1 max.
Isolation	30 dB min.
Insertion Loss	
1215-1239 MHz	0.7 dB max.
1563-1587 MHz	0.5 dB max.
1615-1630 MHz	0.7 dB max.

GENERAL CHARACTERISTICS

Size, excluding connectors	6.20" x 3.43" x 1.00"
Weight	23 oz. max.
Connectors	SMA, RA, Female

REV: 9/30/16