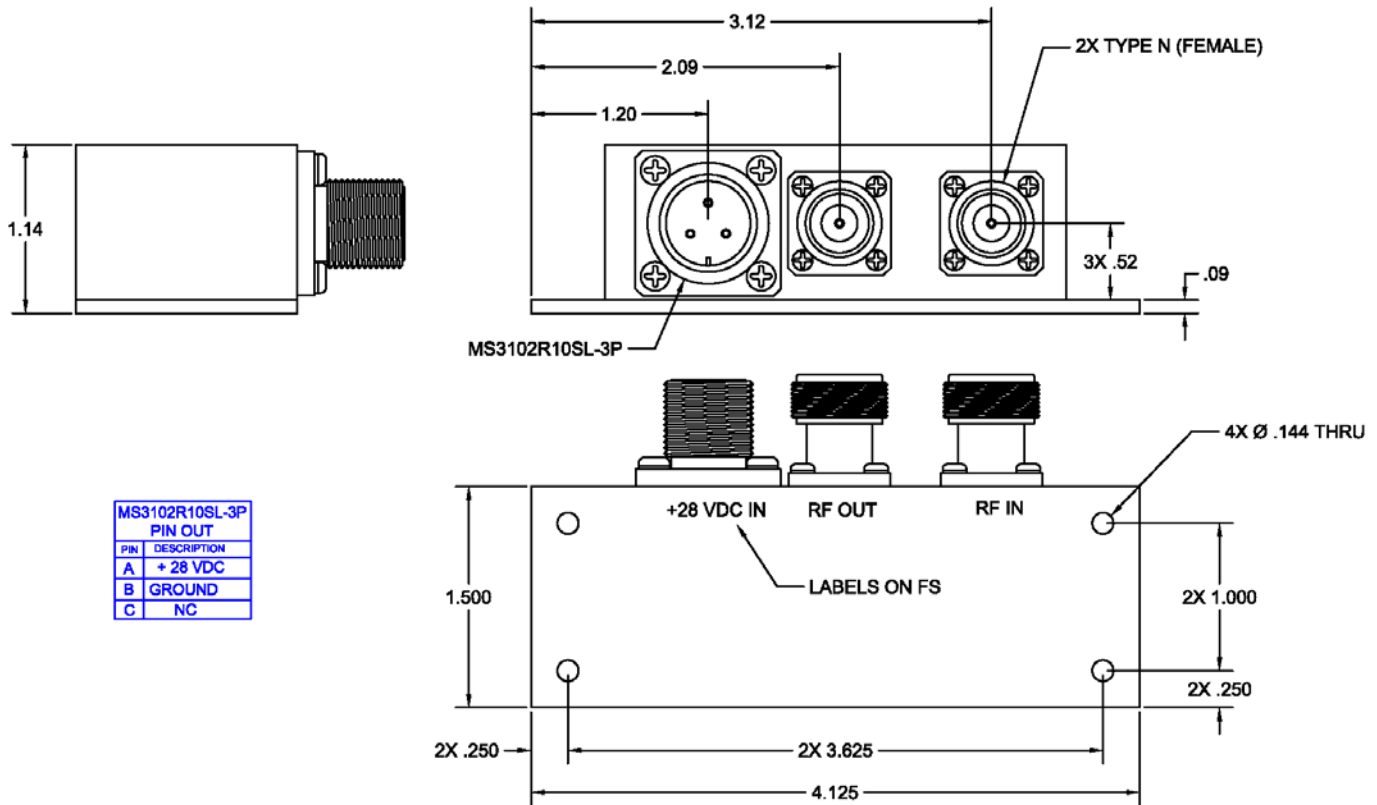




AM-212D3

LOW NOISE AMPLIFIER



ELECTRICAL SPECIFICATIONS

Bandwidth @ 2 dB down	235-385 MHz
VSWR, Input, 235-385 MHz	2.0:1 max.
VSWR, Output, 235-385 MHz	1.5:1 max.
Gain, 235-385 MHz	31 dB min., 34 dB max.
Noise Figure, 235-385 MHz	1.2 dB max.
Input @ 1 dB gain compression	-19 dBm min.
Input Signal, 2-1200 MHz (Protection Level)	+30 dBm max.
Intercept point, third order	+22 dBm nom.
Preamp V/I (20-32 VDC, Operational)	+28 VDC@100mA max. (steady state)

GENERAL CHARACTERISTICS

WEIGHT	7.3 oz. nom.
SIZE, excluding connectors	4.125" x 1.50 x 1.14"
CONNECTORS	
RF	N (female)
DC	MS3102R10SL-3P

REV: 11/10/15