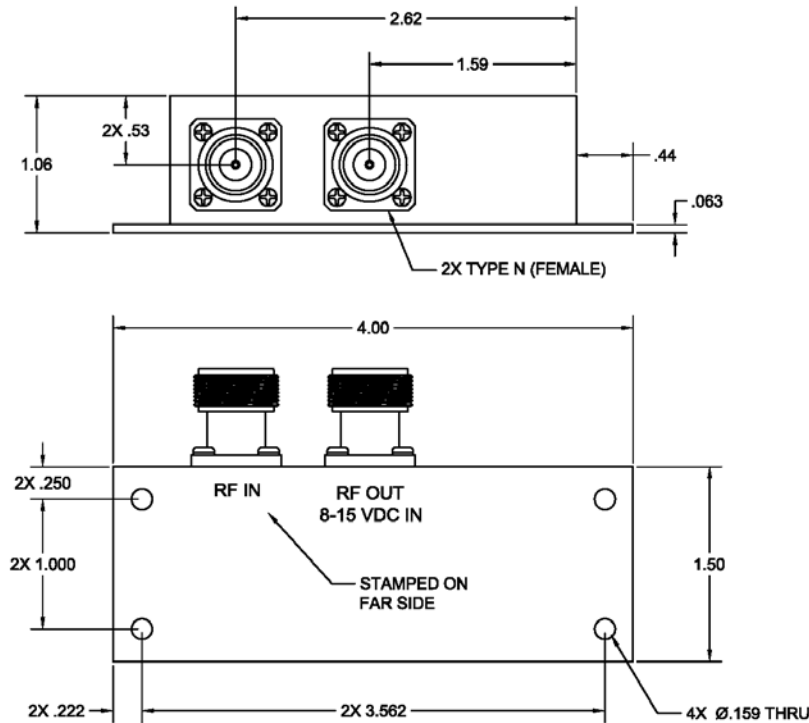




AM-212SN-9

LOW NOISE AMPLIFIER UHF/ SATCOM



ELECTRICAL SPECIFICATIONS

Bandwidth @ 1 dB down (Rel. to 256 MHz)	243-270 MHz min.
VSWR, Input (Ref. 50 Ohms)	2.0:1 max.
VSWR, Output (Ref. 50 Ohms)	1.5:1 max.
GAIN, 243-270 MHz	31 dB min., 35 dB max.
Noise Figure, 243-270 MHz	1.2 dB max.
Input @ 1 dB gain compression	-18 dBm min.
Input Signal, 100-800 MHz, Input Port (protection level)	1 W CW max.
Pre-Amplifier Power Requirements	
Voltage	+8 to +15 VDC nom.
Current	0.2 A max.

GENERAL CHARACTERISTICS

WEIGHT	7 oz. max.
SIZE, excluding connectors	4.00" x 1.50" x 1.06"
CONNECTORS	
RF Input	Type N (Female)
RF Output/ DC Input	Type N (Female)

REV: 11/16/16