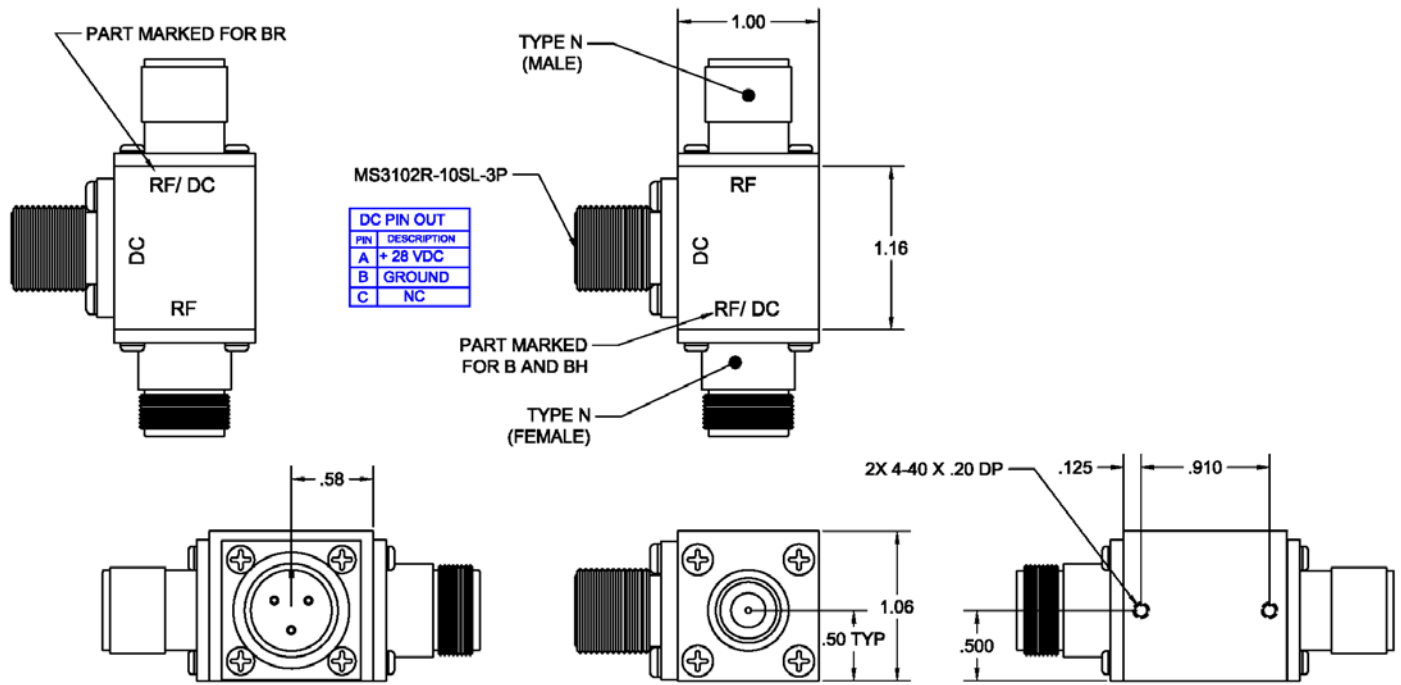




FTP-14BR

BIAS TAP



The FTP-14BR BIAS TAP is used to provide a DC path to one side of a 50 Ohm transmission line. An integral blocking capacitor isolates the DC from the other side of the line.

ELECTRICAL SPECIFICATIONS

Frequency Range	50-512 MHz
Insertion Loss	0.2 dB max.
VSWR	1.3:1 max.
RF Power	200 W CW
Impedance	50 Ω nom.
DC Resistance	1.0 Ω max.
Voltage	200 VDC max.
Current	700 mA max.

GENERAL CHARACTERISTICS

Size, excluding connectors	1.16" L x 1.06" W x 1.00" H
Weight	4.5 ozs. nom.
Connectors	TYPE N (Female) TYPE N (Male) MS3102R10SL-3P
RF	
RF/DC	
DC	

REV: 10/17/16