



## LM-15-10

## EMP LIMITER



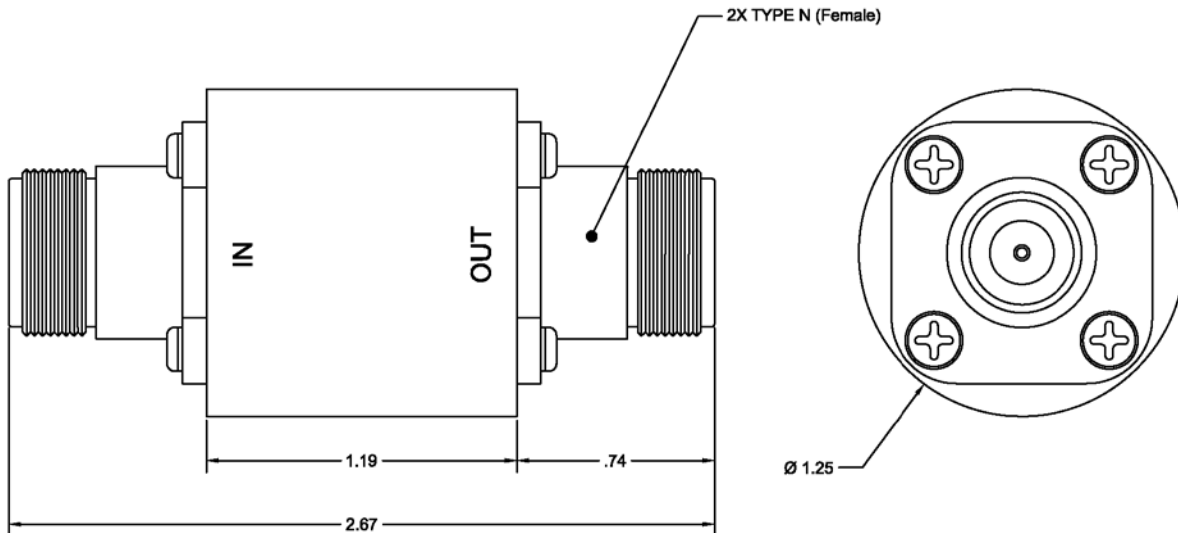
### DESCRIPTION

The model LM-15-10 limiter provides EMP protection for many kinds of communication equipment. The clamp voltage protection level is nominally 10v, indicated by -10. Other levels may be specified from 7 to 360 volts. Contact MPI for specific voltage requirements.

RF power handling is contingent on voltage protection level.

### FEATURES

- Compact Coaxial EMP Limiter



**ELECTRICAL SPECIFICATIONS**

Insertion Loss	
0-512 MHz	0.15 dB max.
512-900 MHz	0.5 dB max.
VSWR	
0-512 MHz	1.25:1 max.
512-700 MHz	1.5:1 max.
Impedance	50 Ω nom.
EMP Protection Level*	10v nom.

\* Values from 7 to 360V available, indicated by suffix "-XX"

**GENERAL CHARACTERISTICS**

Connectors	Type "N" Female
Weight	6 oz.
Size	Ø1.25" X 2.67" Overall Length

REV: 6/23/16