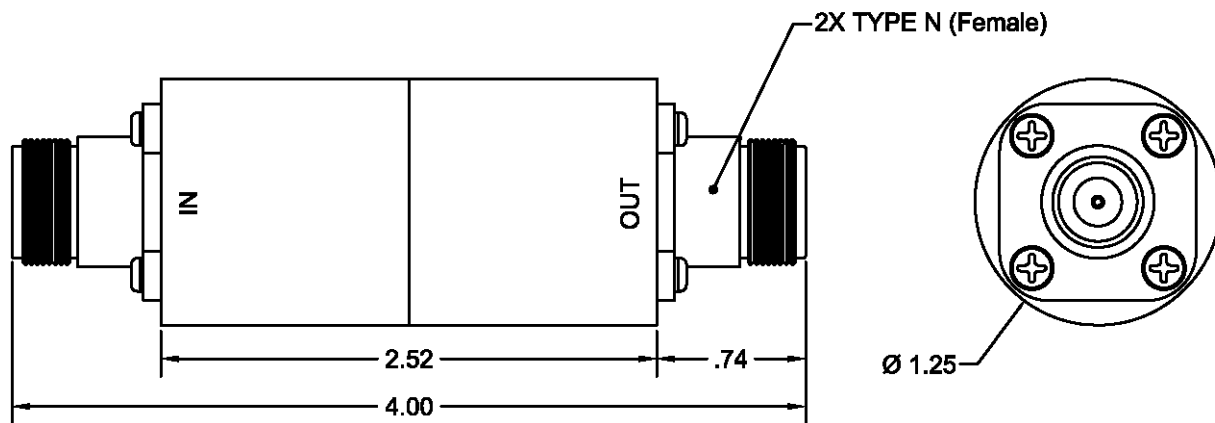




LM-24-75

EMP LIMITER



ELECTRICAL SPECIFICATIONS

| | |
|-----------------------------|-------------|
| Insertion Loss 0-520 MHz | 0.3 dB max. |
| VSWR 0-520 MHz | 1.4:1 max. |
| Impedance | 50Ω nom. |
| EMP Protection Level | 75V nom. |

GENERAL CHARACTERISTICS

| | |
|------------|-------------------------------|
| Connectors | Type N Female |
| Weight | 7 oz. nom. |
| Size | Ø1.25" x 4.00" Overall Length |

REV: 1/19/17