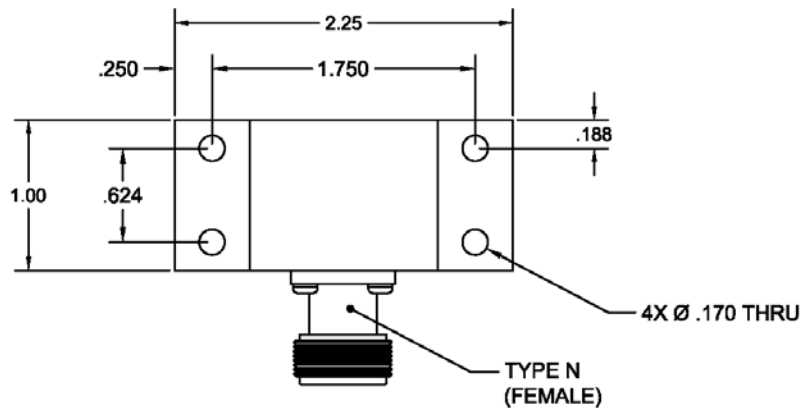
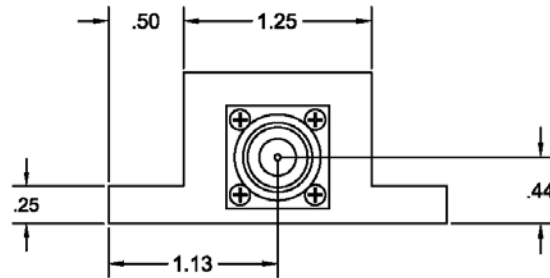




**AFH-50**  
P/N: 3705F

**HIGH POWER TERMINATION**  
Optimized for 0-320 MHz, Usable 0-512 MHz



## ELECTRICAL SPECIFICATIONS

	OPTIMIZED	USABLE
Frequency Range	0-320 MHz	0-512 MHz
Impedance		50 $\Omega$ nom.
VSWR	1.15:1 max.	1.25:1 max.
Operating Power		125 W*

\* Requires mounting on heatsink appropriate to keep case temperature below 175°C

## GENERAL CHARACTERISTICS

Size, excluding connector	2.25" x 1.00" x 1.00"
Weight	5 oz. max.
Connector	Type N (Female)

REV: 10/25/16