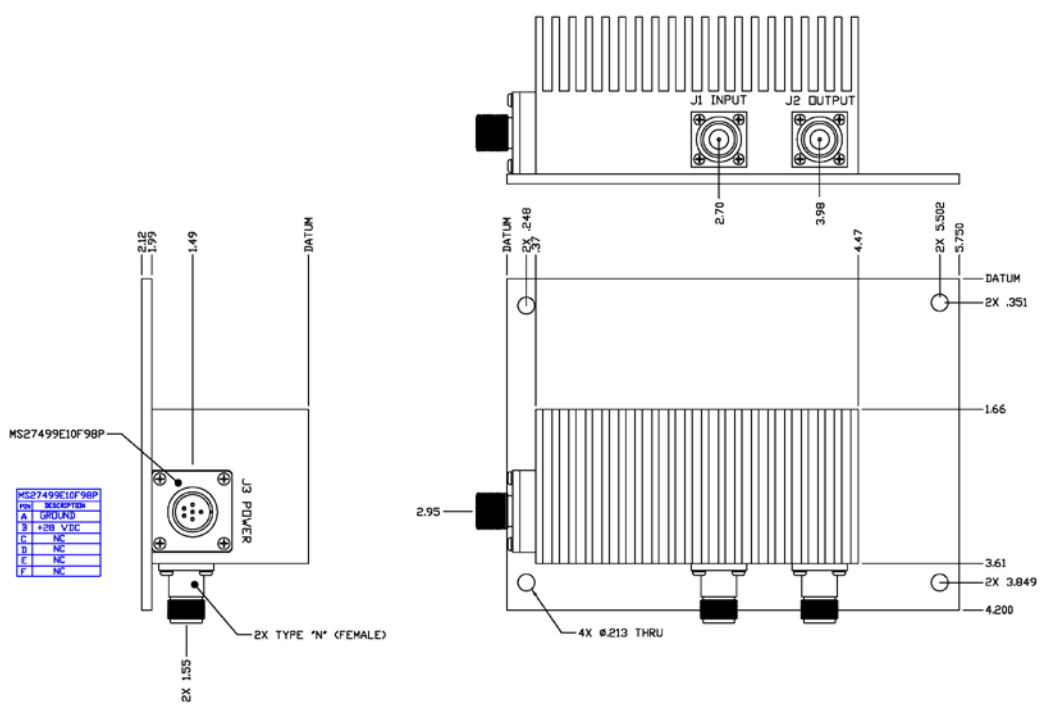




AM-230NT UHF/SATCOM LNA

VERY LOW NOISE FIGURE VERY HIGH DYNAMIC RANGE



MPI Model AM-230NT, Low Noise Amplifier, optimized for UHF SATCOM receiving applications

ELECTRICAL SPECIFICATIONS

Gain, 243-270 MHz	30 dB min.
Noise Figure, 243-270 MHz	0.8 dB max.
Bandwidth @ 1 dB down (relative to 256 MHz)	240-272 MHz min.
VSWR, Input (Ref. 50Ω)	1.5:1 max.
VSWR, Output (Ref. 50Ω)	1.5:1 max.
Input @ 1 dB gain compression, 243-270 MHz	0 dBm nom.
Input signal, 100-400 MHz, Input Port	+30 dBm max.
Intercept Point, third order, 243-270 MHz	+43 dBm nom.

GENERAL CHARACTERISTICS

Power	
Voltage, +28 VDC nom.	24 to 32 VDC
Current	500 mA nom.
Size*	5.75" x 4.20" x 2.12"
Weight*	20.0 oz. max.
Connectors	
RF Input/ Output	Type N (Female)
Power	MS27499E10F98P

* Including Mounting Plate

Other Connector configurations are available

Rev. 3/17/2015