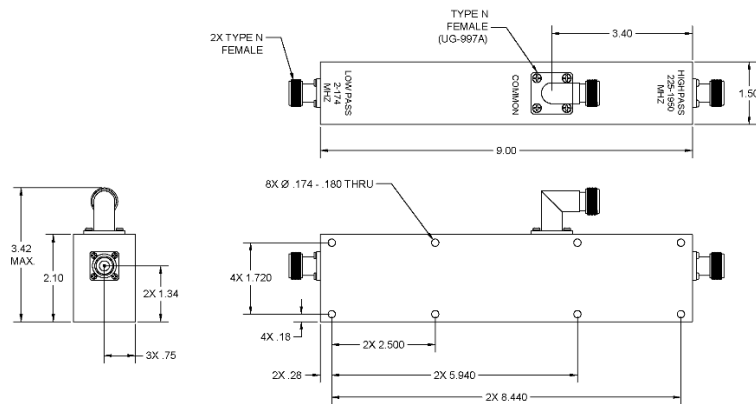




FMA-298 WIDE BAND DIPLEXER

HIGH OPERATING POWER HIGH SELECTIVITY



ELECTRICAL SPECIFICATIONS

LOW-BAND CHARACTERISTICS

Passband	2-174 MHz
Insertion Loss, over passband	0.5 dB max.
VSWR, over passband	1.5:1 max.
REJECTION	
225-230 MHz	60 dB min.
230-750 MHz	70 dB min.
750-950 MHz	40 dB min.
950-1100 MHz	60 dB min.
1100-1200 MHz	50 dB min.
1200-1950 MHz	60 dB min.
ISOLATION, Lowpass to Highpass	
2-140 MHz	60 dB min.
140-174 MHz	30 dB min.
225-750 MHz	60 dB min.
750-1350 MHz	40 dB min.
1350-1950 MHz	60 dB min.
Power Handling Capability	
2-32 MHz	1260 W, CW max.
30-88 MHz	100 W, CW max.
114-174 MHz	50 W, CW max.

HIGH-BAND CHARACTERISTICS

Passband	225-1950 MHz
Insertion Loss	
225-400 MHz	0.5 dB max.
800-1120 MHz	0.5 dB max.
1210-1240 MHz	0.5 dB max.
1560-1600 MHz	0.5 dB max.
1600-1950 MHz	0.6 dB max.
VSWR	
225-400 MHz	1.5:1 max.
800-1120 MHz	1.5:1 max.
1210-1240 MHz	1.6:1 max.
1560-1600 MHz	1.7:1 max.
1600-1950 MHz	1.8:1 max.
REJECTION	
2-118 MHz	80 dB min.
118-140 MHz	60 dB min.
140-174 MHz	30 dB min.
Power Handling Capability	
225-400 MHz	250 W, CW max.
1090 +/- 5 MHz	1200 W, peak max.
	50 W, avg. max.

*NOT EXPOSED TO WEATHER

GENERAL CHARACTERISTICS

ENVIRONMENT	Airborne/ Shipboard*
WEIGHT	34 oz. nom.
SIZE, excluding connectors	9.00" x 2.10" x 1.50"
CONNECTORS	TYPE N (female)

REV: 11/24/21