



FMA-341N-1

VHF/UHF DIPLEXER



DESCRIPTION

A VHF/UHF Diplexer with a Low Band of 30 to 520 MHz and a High Band of 806 to 1200 MHz

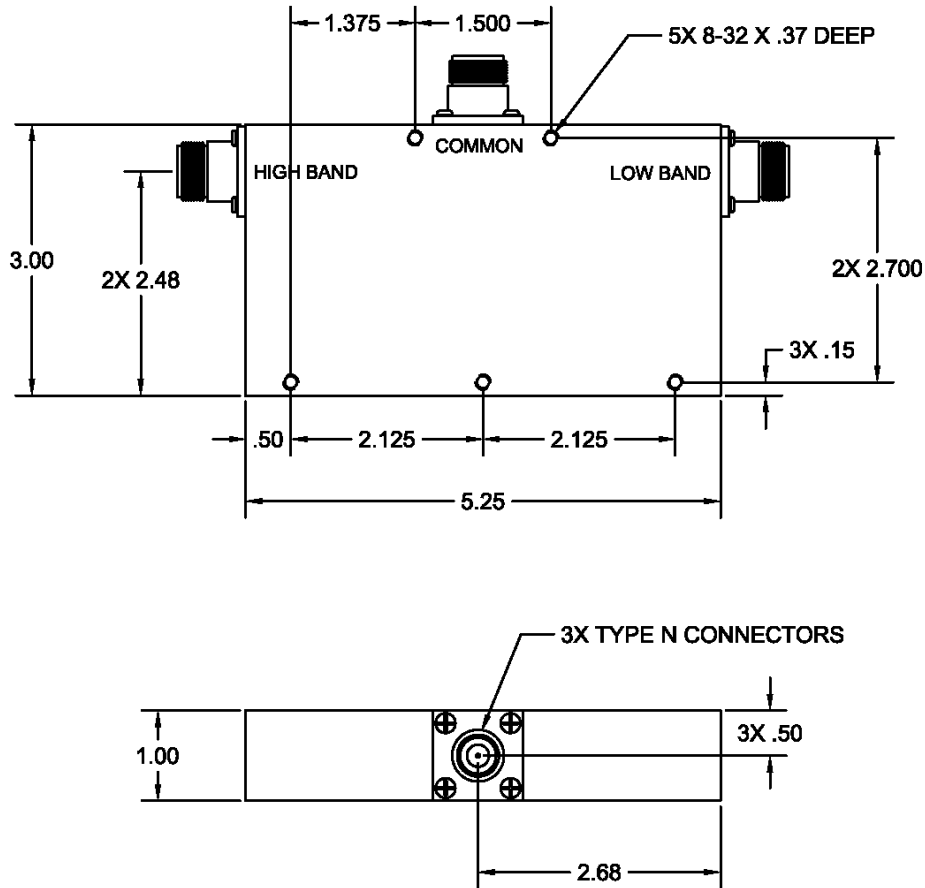
FEATURES

- A Low Band capable of 250 Watt CW maximum
- A High Band capable of 500 Watt CW maximum

MPI METROPOLE PRODUCTS, INC
[THE FREQUENCY OF INNOVATION]

P: 540.659.2132 F: 540.659.2133
sales@metropoleproducts.com
2040 Jefferson Davis Highway, Stafford, Virginia 22554

www.MetropoleProducts.com



ELECTRICAL SPECIFICATIONS

Low Band to Common

Frequency	30-520 MHz
Insertion Loss, 30-520 MHz	0.5 dB max.
Rejection, 950-2260 MHz	90 dB min.
VSWR, Ref. 50 Ohms	1.5:1 max.
Power	250 W-CW

High Band to Common

Frequency	806-1200 MHz
Insertion Loss, 806-1200 MHz	0.5 dB max.
Rejection, 0-512 MHz	75 dB min.
VSWR, Ref. 50 Ohms	1.5:1 max.
Power	500 W-CW

GENERAL CHARACTERISTICS

Weight	1 lb. 10 oz. nom.
Size, excluding connectors	5.25" x 3.00" x 1.00"
Connectors	Type N (Female)
Operating Temperature*	-35°C to +85°C
Vibration	.036 inch Double Amplitude
Shock	MIL-E-5400 par 3.2.21.6.1 from 10 to 65 Hz

*External cooling, e.g. heat sink may be required, depending on the transmit power, frequency, and duty cycle.

REV. 11/18/2019