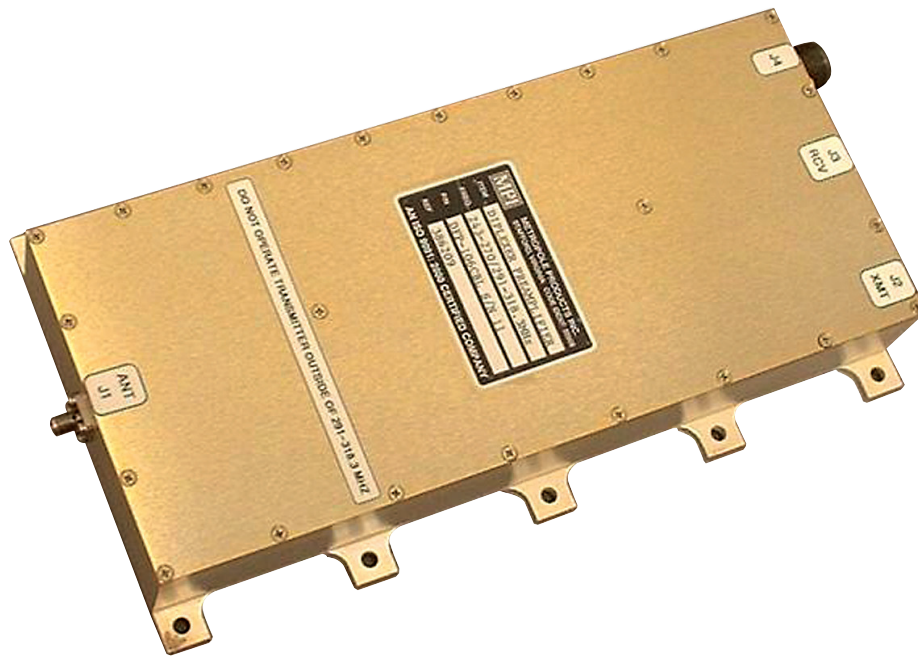




## DFP-106CBL • Antenna Diplexer-Preamplifier



### DESCRIPTION

UHF SATCOM (DAMA) Antenna Diplexer with integral LNA

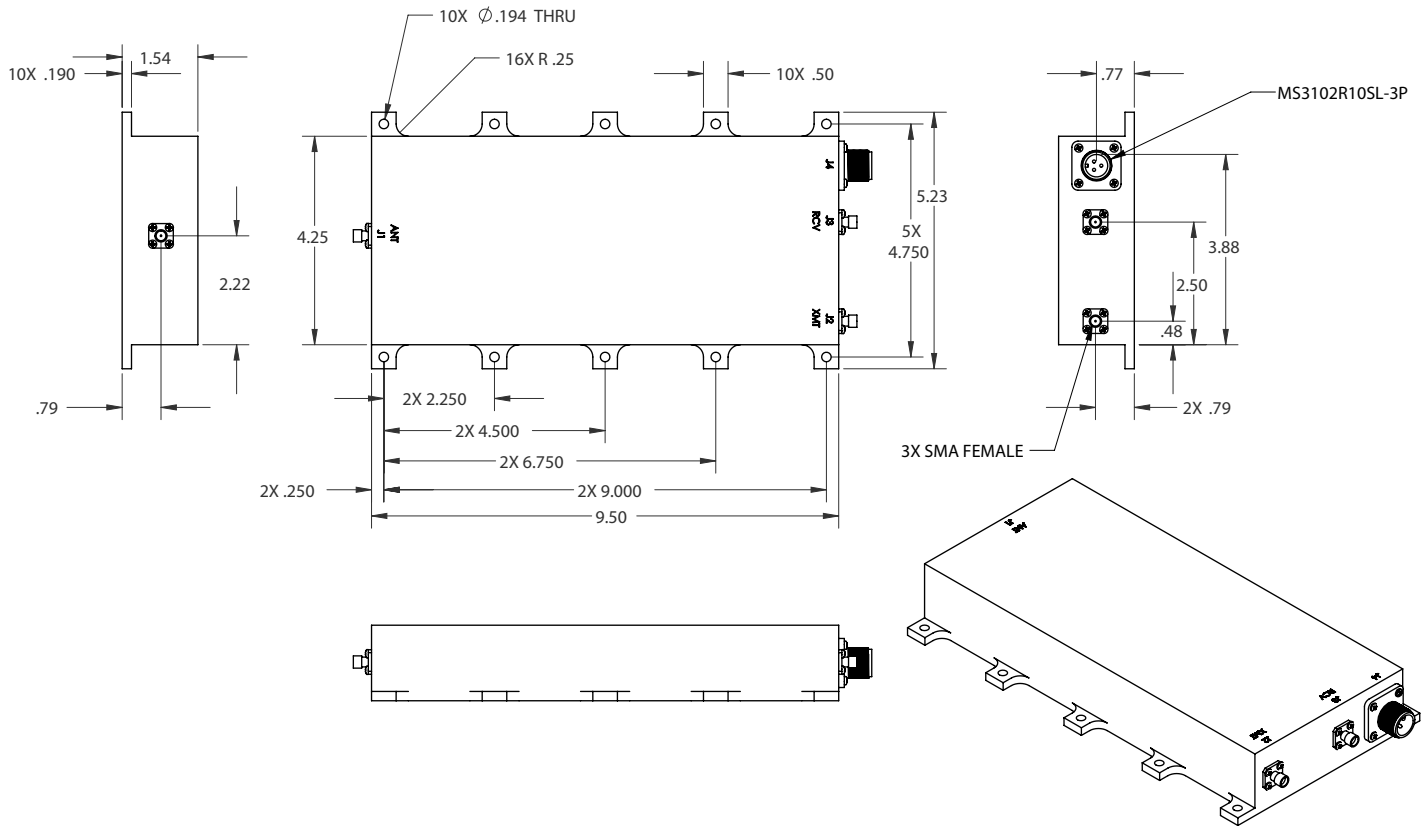
### FEATURES

- ▶ Very low noise figure
- ▶ High isolation, allows full duplex operation
- ▶ Very compact - light weight

**MPI** METROPOLE PRODUCTS, INC  
[ THE FREQUENCY OF INNOVATION ]

P: 540.659.2132 F: 540.659.2133  
sales@metropoleproducts.com  
2040 Jefferson Davis Highway, Stafford, Virginia 22554

[www.MetropoleProducts.com](http://www.MetropoleProducts.com)



**RECEIVE CHARACTERISTICS,  
ANT TO RCVR**

Passband, -1 dB max. roll-off .....	243-270 MHz
VSWR, 243-270 MHz .....	1.5:1 max.
Stopband, 0-180 MHz.....	90 dB min.
180-215 MHz.....	60 dB min.
291-800 MHz .....	90 dB min.
800-2000 MHz.....	60 dB min.
Gain, 243-270 MHz .....	30 dB min.
Noise Figure, 243-270 MHz.....	2.5 dB max.
Input @ 1 dB gain compression .....	-18 dBm min.
Input signal Protection Level, 243-270 MHz .....	1W, CW
Intercept point, third order .....	+23 dBm nominal
Isolation: XMT to RCVR, 0-200 MHz*.....	90 dB min.
200-240 MHz*.....	75 dB min.
240-270 MHz*.....	33 dB min.
291-300 MHz*.....	63 dB min.
300-1150 MHz* .....	90 dB min.

\*Includes Gain of Preamplifier

**TRANSMIT CHARACTERISTICS,  
XMT TO ANT**

Passband.....	291-318.3 MHz
Insertion Loss, 295-315 MHz .....	0.8 dB max.
Insertion Loss 291-318.3 MHz.....	1.0 dB max.
VSWR, 291-318.3 MHz .....	1.4:1 max.
RF power handling, CW** .....	180 W max.
Stopband, 0-250 MHz .....	90 dB min.
250-270 MHz .....	60 dB min.
355-400 MHz.....	60 dB min.
400-1150 MHz.....	90 dB min.

**GENERAL CHARACTERISTICS**

Environment.....	Shipboard /Airborne (not exposed)
Size, excluding connectors .....	5.25"x 9.50"x 1.55"
Weight .....	3 pounds max.
Operating Current, +22 to +32 VDC.....	90 mA nominal

\*\*Duty Cycle, Heat Sink, & Operating Temperature Dependent