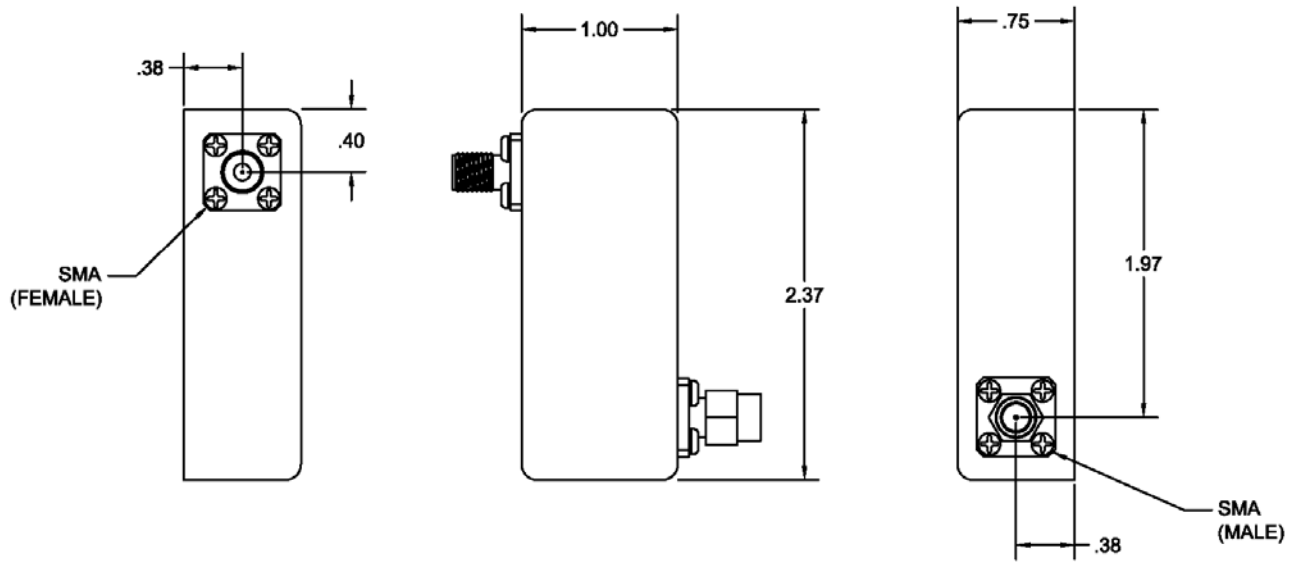




FLDL-270S RF LIMITER

UHF SATCOM RECEIVER PROTECTION



ELECTRICAL SPECIFICATIONS

Passband Frequency Range	
Optimum	240-270 MHz
Useable	50-290 MHz
Insertion Loss, up to 0.1 mW input	0.2 dB max.
VSWR, Ref 50Ω, up to 1 mW input	1.2:1 max.
RF Power Handling	1 W CW
RF Leakage, up to 1 W input	10 mW max.

GENERAL CHARACTERISTICS

Size, excluding connectors	2.37" x 1.00" x .75"
Weight	1.5 oz. nom.
Connectors	SMA (Male/Female)

REV: 9/27/16