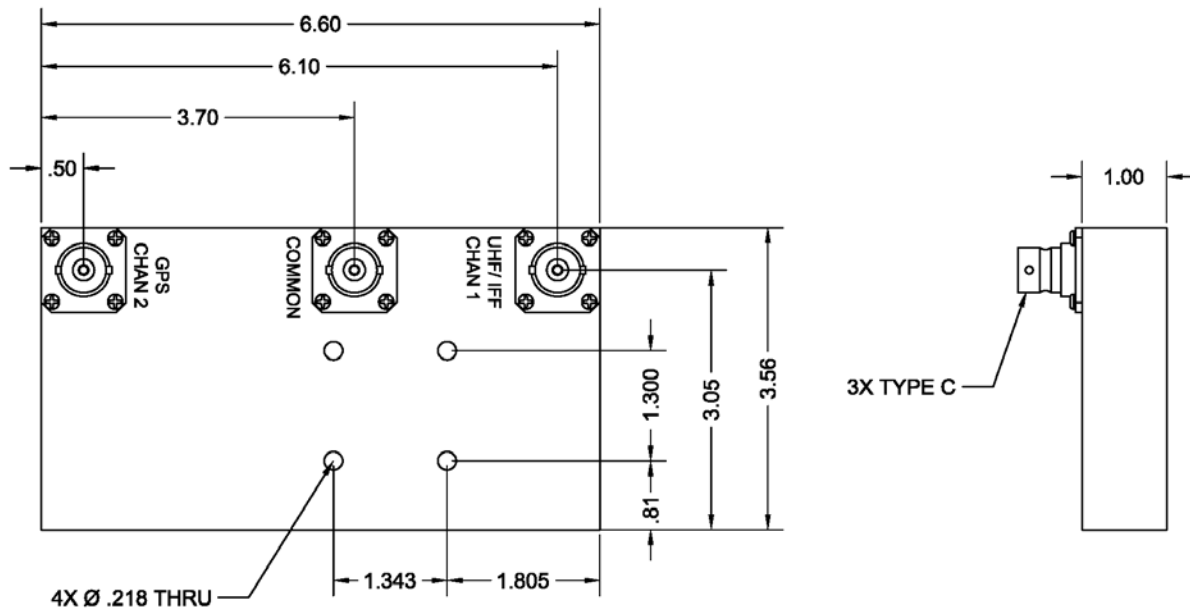




## FMA-290-L

## UHF/IFF – GPS IRIDIUM DIPLEXER



## ELECTRICAL SPECIFICATIONS

### CHANNEL 1 (UHF/IFF)

FREQUENCY	
UHF	30-400 MHz
IFF	980-1120 MHz
VSWR	1.5:1 max.
INSERTION LOSS	0.5 dB max.
ISOLATION	
150-400 MHz	50 dB min.
950-1120 MHz	70 dB min.
POWER HANDLING	
150-400 MHz	100 W avg.
950-1120 MHz	1.0 kW peak, 50 W avg.

### CHANNEL 2 (GPS)

Frequency	1215-1239 MHz
	1563-1587 MHz
	1615-1630 MHz
VSWR	1.5:1 max.
ISOLATION	30 dB min.
INSERTION LOSS	
1215-1239 MHz	0.7 dB max.
1563-1587 MHz	0.5 dB max.
1615-1630 MHz	0.7 dB max.

## GENERAL CHARACTERISTICS

TEMPERATURE	-40° C to +60° C
WEIGHT	40 oz. nom.
SIZE, excluding connectors	6.60" x 3.56" x 1.00"
CONNECTORS	TYPE C (Female)

REV: 10/3/16