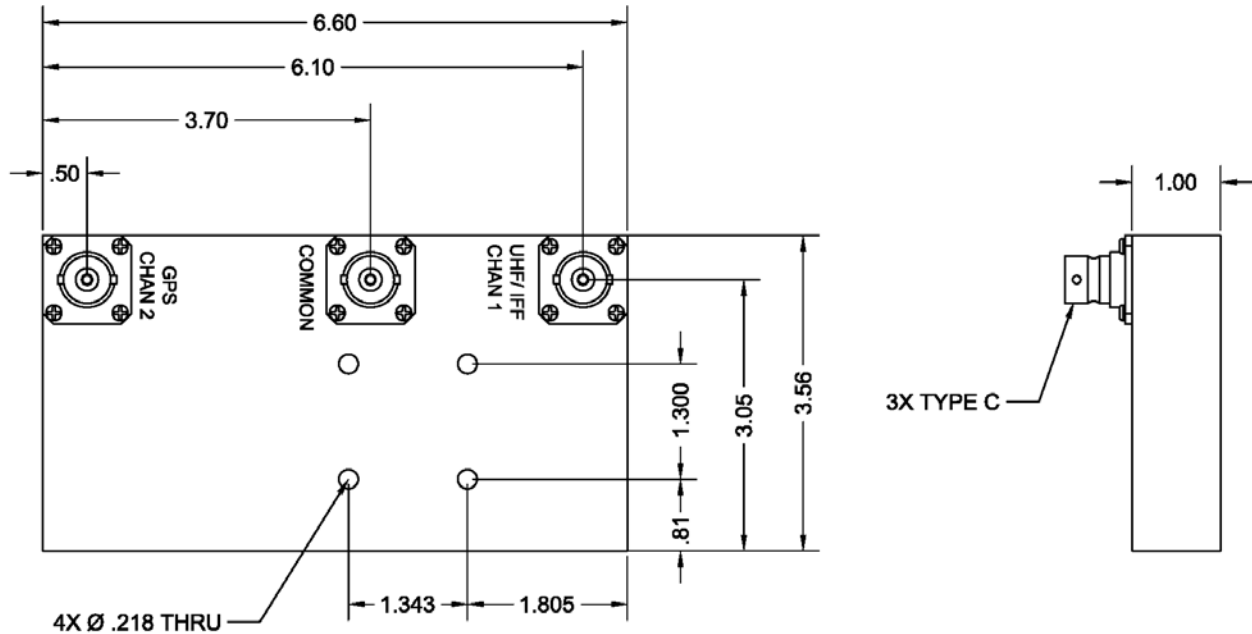




FMA-290

UHF/IFF – GPS DIPLEXER



ELECTRICAL SPECIFICATIONS

CHANNEL 1 (UHF/IFF)

Frequency	
UHF	150-400 MHz
IFF	950-1120 MHz
VSWR	1.5:1 max.
Insertion Loss	0.5 dB max.
Isolation	
150-400 MHz	50 dB min.
950-1120 MHz	70 dB min.
Power Handling	
150-400 MHz	100 W avg.
950-1120 MHz	1.0 kW peak, 50 W avg.

CHANNEL 2 (GPS)

Frequency	1215-1239 MHz
	1563-1587 MHz
VSWR	1.5:1 max.
Isolation	30 dB min.
Insertion Loss	
1215-1239 MHz	0.7 dB max.
1563-1587 MHz	0.5 dB max.

GENERAL CHARACTERISTICS

TEMPERATURE	-40° C to +60° C
WEIGHT	40 oz. nom.
SIZE, excluding connectors	6.60" x 3.56" x 1.00"
CONNECTORS	TYPE C (Female)

REV: 10/4/16