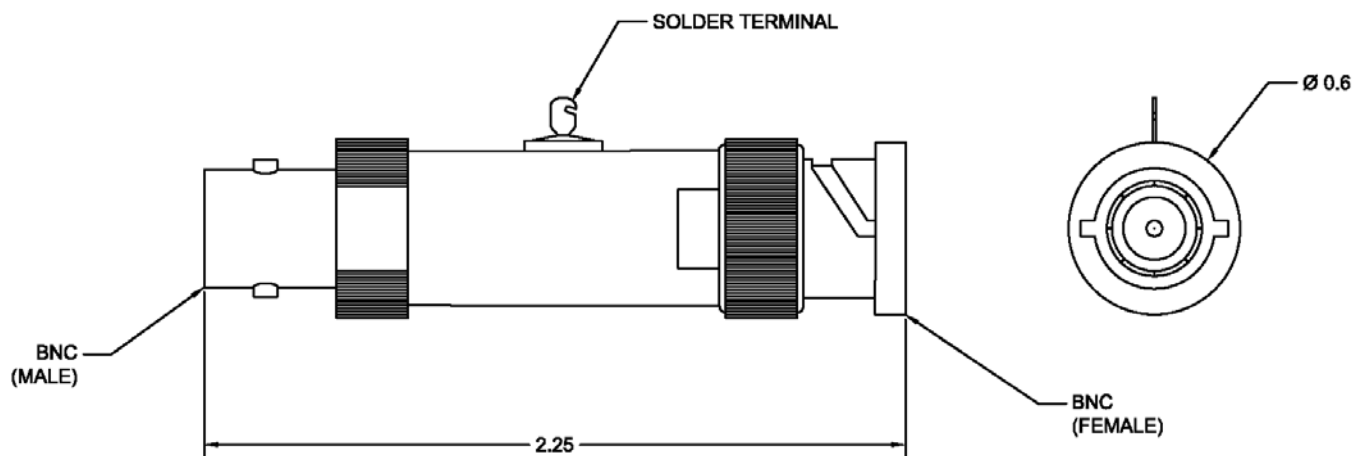




FTP-07

BIAS TAP



MPI's Model FTP-07 BIAS TAP is designed to solve the problem of introducing a DC voltage on an RF signal line while maintaining a well-disciplined 50 Ohm impedance.

Used to permit convenient biasing of diode switches, UHF and VHF amplifiers, and for monitoring DC levels.

The FTP-07 BIAS TAP designed to mate with BNC connectors, is especially useful in the development of solid state circuits in the 1 MHz to 500 MHz range.

ELECTRICAL SPECIFICATIONS

Frequency Range	1-500 MHz
Insertion Loss	0.5 dB max.
VSWR	1.3:1 max.
Impedance	50 Ω nom.
DC Resistance	9.0 Ω max.
Voltage	100 VDC max.

GENERAL CHARACTERISTICS

Size	2.25" x 0.6" dia.
Weight	1 oz. nom.
Connectors	BNC (Female)
Input	BNC (Male)
Output	Solder Terminal
DC	

REV: 10/17/16