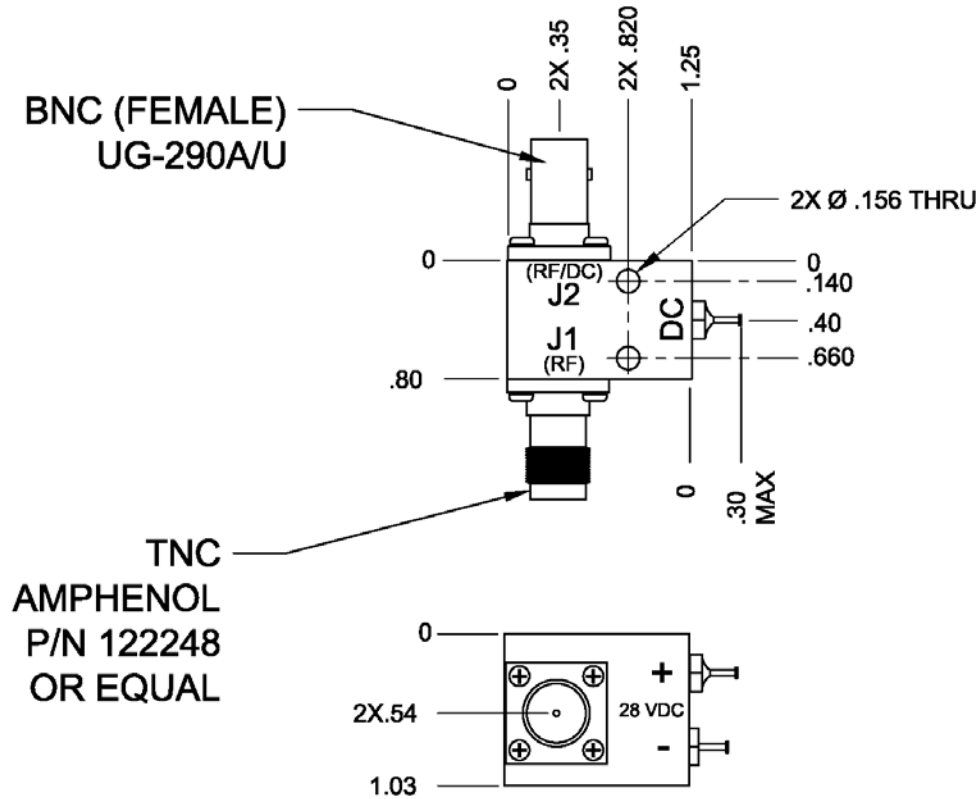




# FTP-22A

# HIGH CURRENT BIAS TAP



The FTP-22A BIAS TAP is used to provide a DC path to one side of a 50 Ohm transmission line. An integral blocking capacitor isolates the DC from the other side of the line.

## ELECTRICAL SPECIFICATIONS

Frequency Range	30-512 MHz
Insertion Loss	0.2 dB max.
VSWR	1.3:1 max.
Impedance	50 Ω nom.
DC Resistance	0.1 Ω max.
Voltage	200 VDC max.
Current	10 A max.
RF Power	200 W CW

## GENERAL CHARACTERISTICS

Size, excluding connectors	.80 L" x 1.25" W x 1.03" H
Connectors	TNC (Female) BNC (Female) Solder Terminals
RF	
RF/DC	
DC	
Weight	2.0 ozs. nom.

REV: 10/17/16