



LM-15-10

EMP LIMITER



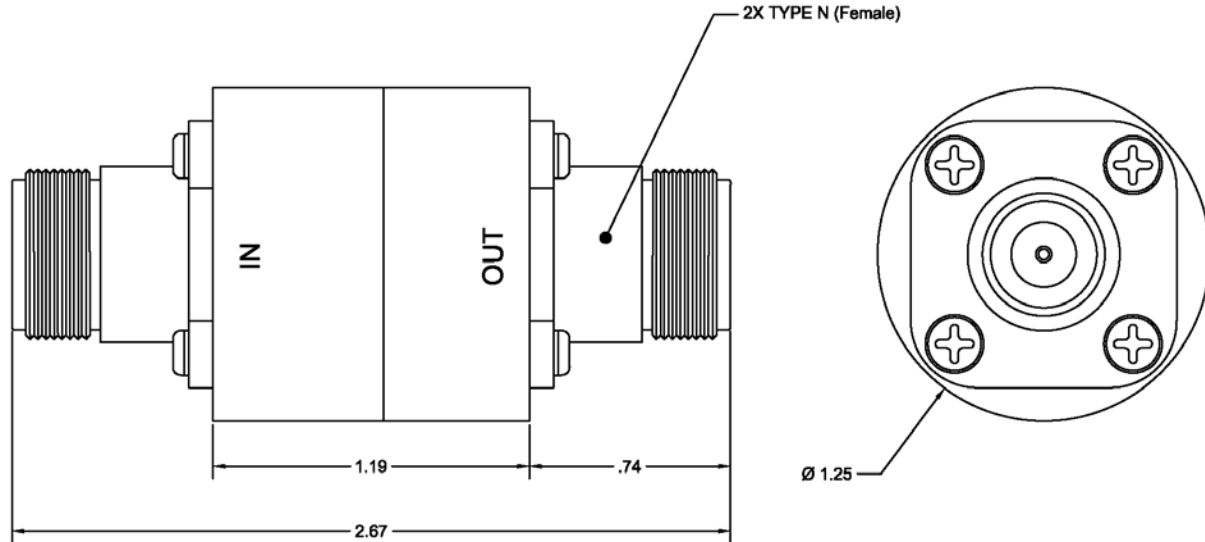
DESCRIPTION

The model LM-15-10 limiter provides EMP protection for many kinds of communication equipment. The clamp voltage protection level is nominally 10v, indicated by -10. Other levels may be specified from 7 to 360 volts. Contact MPI for specific voltage requirements.

RF power handling is contingent on voltage protection level.

FEATURES

- Compact Coaxial EMP Limiter



ELECTRICAL SPECIFICATIONS

Insertion Loss	
0-512 MHz	0.15 dB max.
512-900 MHz	0.5 dB max.
VSWR	
0-512 MHz	1.25:1 max.
512-700 MHz	1.5:1 max.
Impedance	50 Ω nom.
EMP Protection Level*	10v nom.

* Values from 7 to 360V available, indicated by suffix "-XX"

GENERAL CHARACTERISTICS

Size, overall length	1.25" dia. X 2.67"
Weight	6 oz. nominal
Connectors	Type "N" Female

REV: 5/20/2024