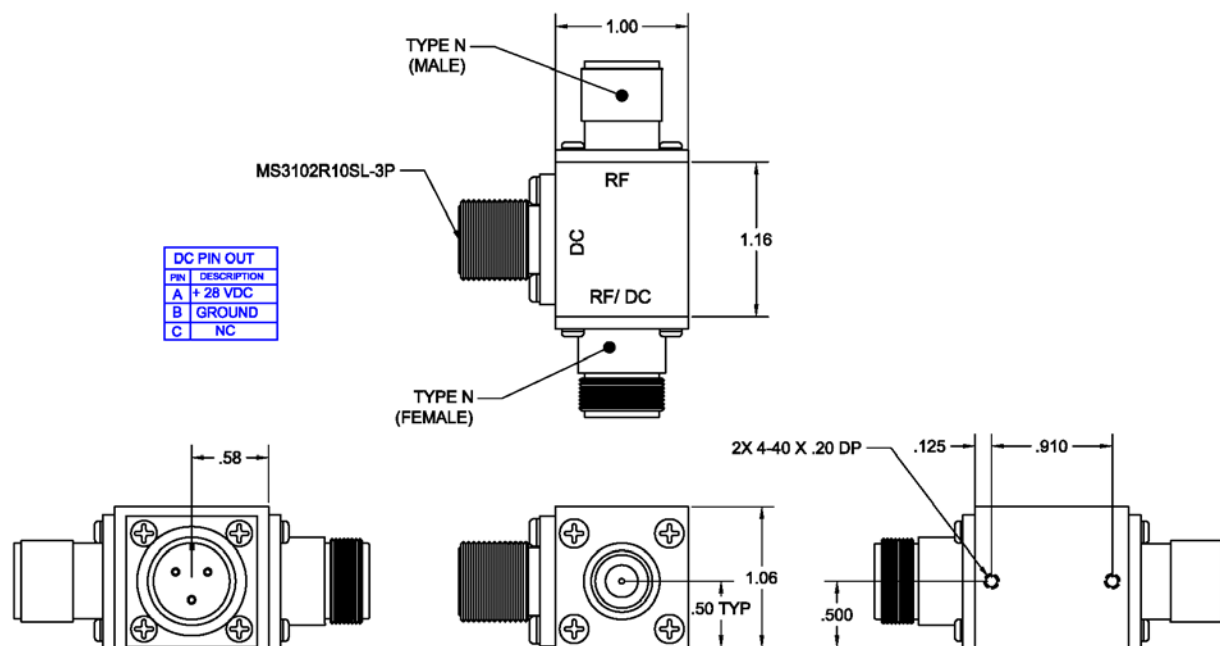




FTP-14BH

BIAS TAP



The FTP-14BH BIAS TAP is used to provide a DC path to one side of a 50 Ohm transmission line. An integral blocking capacitor isolates the DC from the other side of the line.

ELECTRICAL SPECIFICATIONS

Frequency Range	30-512 MHz
Insertion Loss	0.2 dB max.
VSWR	1.2:1 max.
RF Power	200 W CW max.
Impedance	50 Ω nom.
DC Resistance	0.1 Ω max.
DC Voltage	200 VDC max.
DC Current	
Continuous	4 A max.
Intermittent, 50% duty cycle	7 A max.

GENERAL CHARACTERISTICS

Size, excluding connectors	1.16" L x 1.06" W x 1.00" H
Weight	4.5 ozs. nom.
Connectors	
RF*	Type N (Male)
RF/DC*	Type N (Female)
DC	MS3102R10SL-3P

*OPTION: **FTP-14BHR** – Provides the DC path to the N (Male) connector

REV: 6/30/17