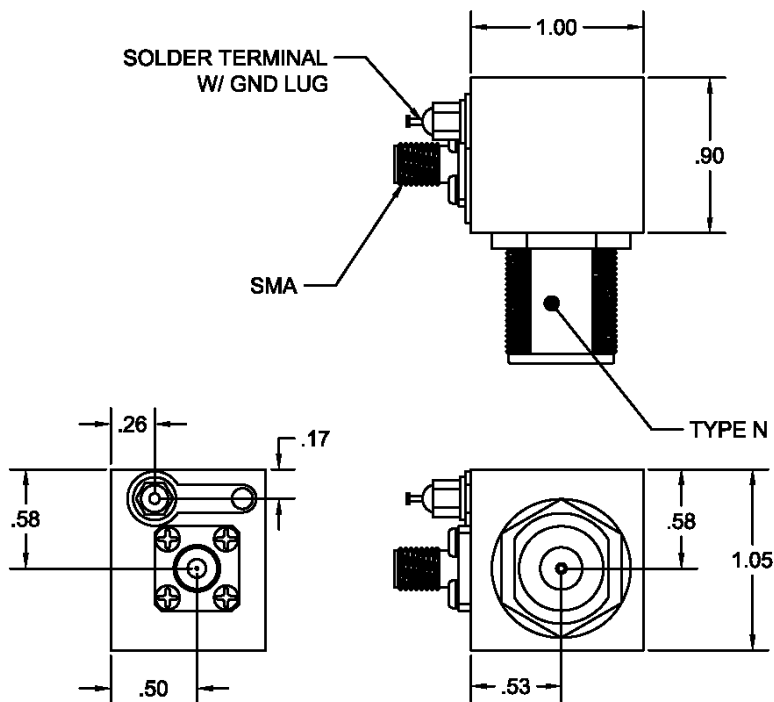




FTP-15-2

BIAS TAP



The FTP-15-2 Bias Tap is used to provide a DC path to one side of a 50 Ohm transmission line. An integral blocking capacitor isolates the DC from the other side of the line.

ELECTRICAL SPECIFICATIONS

FREQUENCY RANGE	108-512 MHz
INSERTION LOSS	0.15 dB max.
VSWR	1.20:1 max.
RF POWER HANDLING	100W-CW
DC RESISTANCE, E1-J2	0.2 Ω max.
DC VOLTAGE	200 VDC max.
DC CURRENT	5 A max.

GENERAL CHARACTERISTICS

WEIGHT	3.0 oz. max.
SIZE, excluding connectors	1.00" x .90" x 1.05"
CONNECTORS	
RF, J1	SMA (female)
RF, J2	Type N (female)
DC, E1	Solder Terminal

REV: 1/28/2019